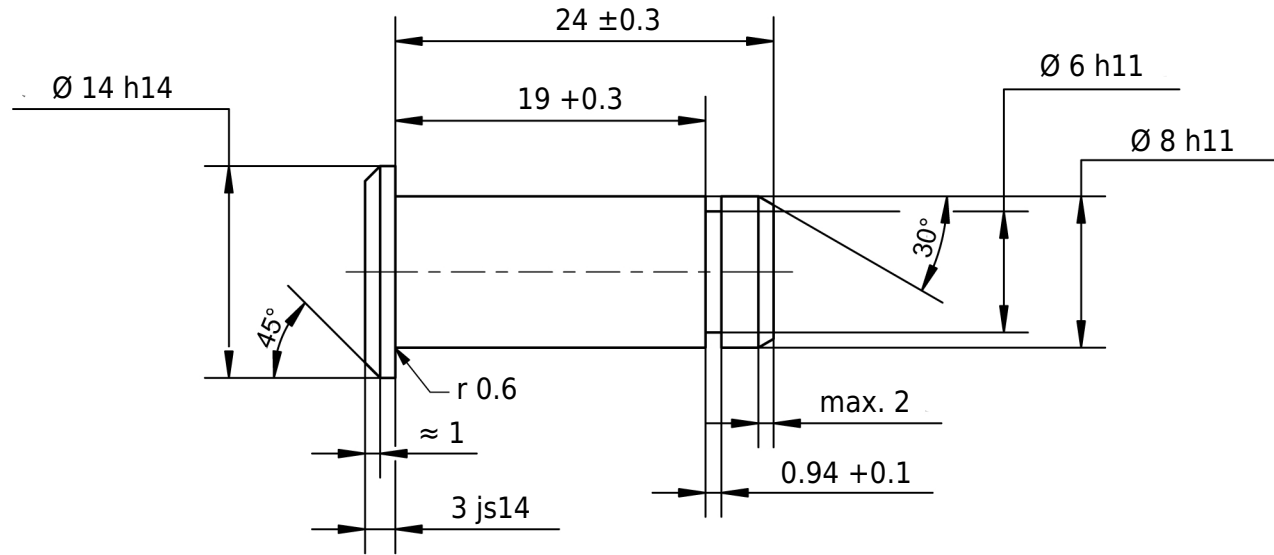


This drawing is the exclusive property of mbo Osswald GmbH & Co KG. Communication, reproduction and disclosure to third-parties (even if only partial) are prohibited. Any contravention will result in liability for compensation.



14 h14	14.000 13.570
3 js14	3.125 2.875
8 h11	8.000 7.910
6 h11	6.000 5.925

Permitted deviation for dimensions without tolerance specification ISO 2768-m for linear and angular dimensions ISO 2768-0.6 for symmetry				Surface bright		Scale		Weight	
						Material		1.4301 (X5CrNi18-10)	
				Date		Name		Identifier	
				Drawn 08.10.2020		mboShop		8 x 24 x 19	
				Checked					
				Standard ISO 2341					
								Article no	
								BEG81602166747	
								A4	
A		Drawing created		08.10.2020		eShop		Replacement	
Status		Changes		Date		Name		Replaced by:	



for: