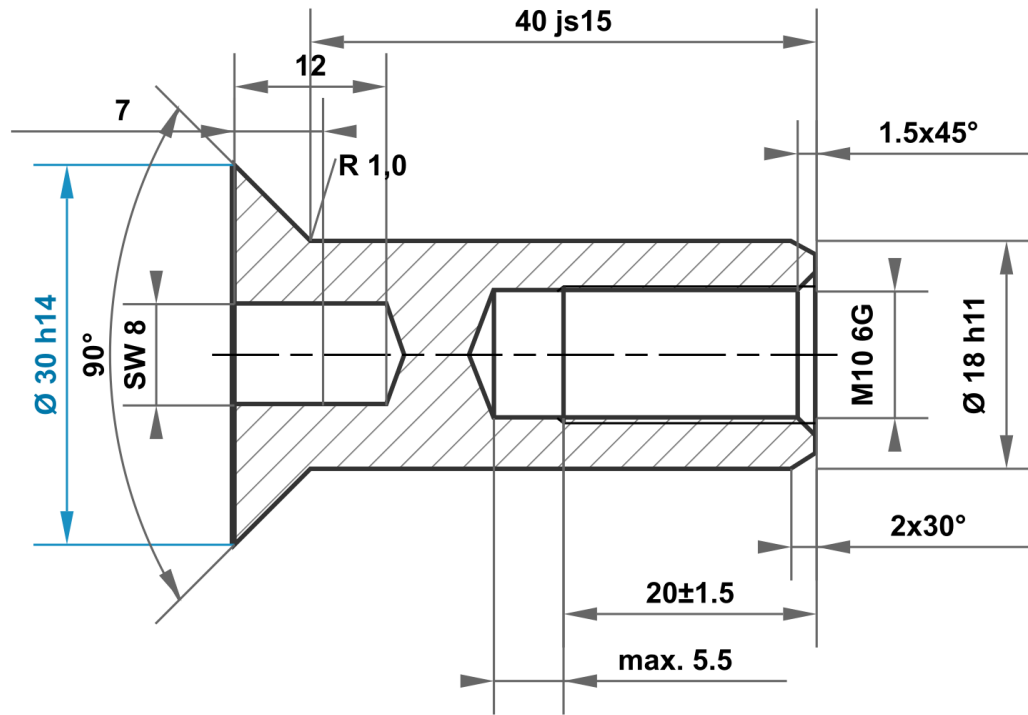


This drawing is the exclusive property of mbo Osswald GmbH & Co KG. Communication, reproduction and disclosure to third-parties (even if only partial) are prohibited. Any contravention will result in liability for compensation.



40 js15	40.500 39.500
18 h11	18.000 17.890
30 h14	30.000 29.480

Permitted deviation for dimensions without tolerance specification ISO 2768-m for linear and angular dimensions ISO 2768-0.6 for symmetry				Surface bright, lightly oiled		Scale		Weight	
						Material		1.0715 / 1.0718 according to DIN EN 10277	
				Date		Name		Identifier	
				Drawn 20.02.2026		mboShop		Sleeve nut	
				Checked					
				Standard					
								Article no	
								KT101771575687	
								A4	
A		Drawing created		20.02.2026		eShop		Replacement for:	
Status		Changes		Date		Name		Replaced by:	

