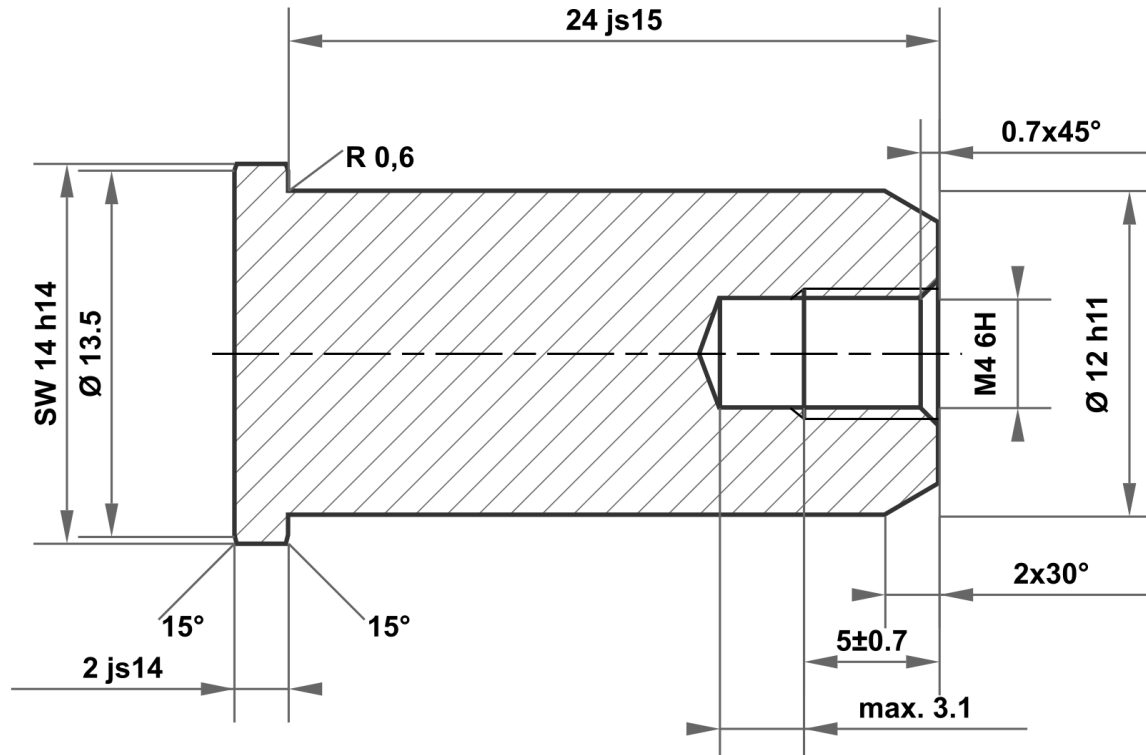



This drawing is the exclusive property of mbo Osswald GmbH & Co KG. Communication, reproduction and disclosure to third-parties (even if only partial) are prohibited. Any contravention will result in liability for compensation.



24 js15	24.420 23.580
12 h11	12.000 11.890
14 h14	14.000 13.570
2 js14	2.125 1.875

Permitted deviation for dimensions without tolerance specification ISO 2768-m for linear and angular dimensions ISO 2768-0.6 for symmetry				Surface bright	Scale	Weight			
					Material 1.4305 (X8CrNiS18-9)				
				Date	Name	Identifier			
							Drawn	28.05.2025	mboShop
							Checked		
							Standard		
				 mbo Osswald GmbH & Co KG Steingasse 13 97900 Kuelshelm-Steinbach Germany		Article no			
A	Drawing created	28.05.2025	eShop			KT161748417608			
Status	Changes	Date	Name	Replacement for:		Replaced by:			

A4