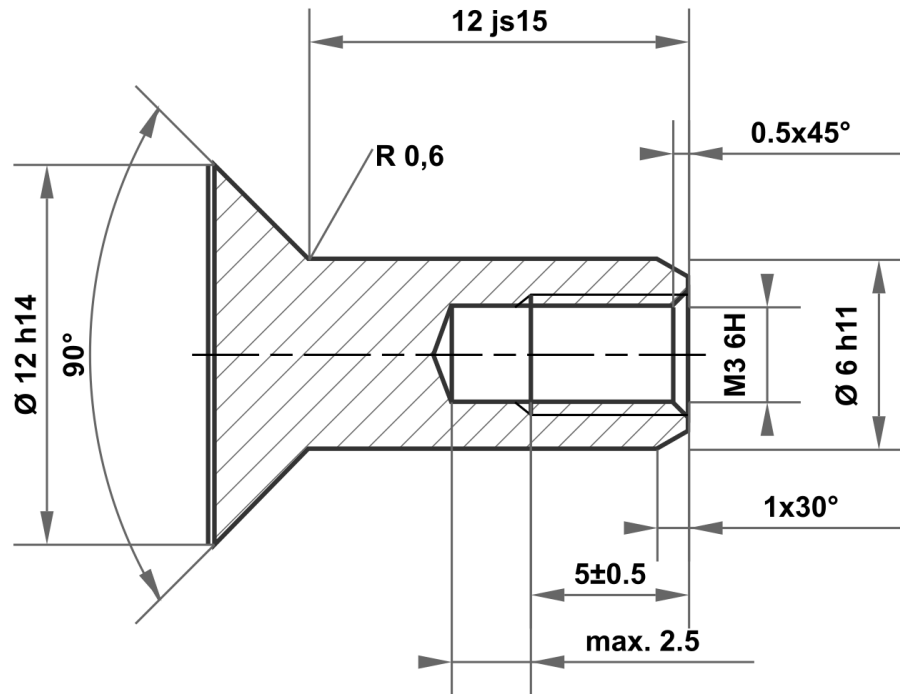



This drawing is the exclusive property of mbo Osswald GmbH & Co KG. Communication, reproduction and disclosure to third-parties (even if only partial) are prohibited. Any contravention will result in liability for compensation.



12 js15	12.350 11.650
6 h11	6.000 5.925
12 h14	12.000 11.570

Permitted deviation for dimensions without tolerance specification ISO 2768-m for linear and angular dimensions ISO 2768-0.6 for symmetry				Surface bright	Scale	Weight			
					Material 1.4305 (X8CrNiS18-9)				
				Date	Name	Identifier			
							Drawn	04.06.2025	mboShop
							Checked		
							Standard		
				 mbo Osswald GmbH & Co KG Steingasse 13 97900 Kuelsheim-Steinbach Germany		Article no			
A	Drawing created	04.06.2025	eShop			KT181749045145	A4		
Status	Changes	Date	Name	Replacement for:		Replaced by:			