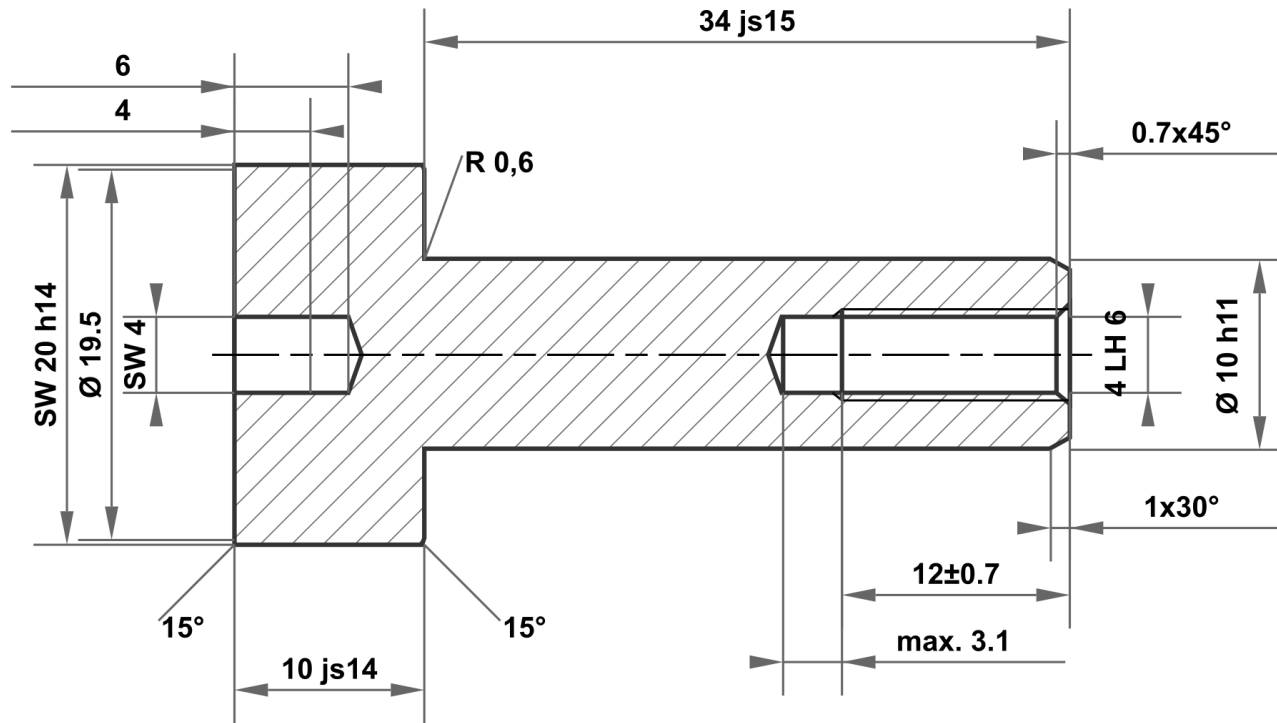



This drawing is the exclusive property of mbo Osswald GmbH & Co KG. Communication, reproduction and disclosure to third-parties (even if only partial) are prohibited. Any contravention will result in liability for compensation.



34 js15	34.500 33.500
10 h11	10.000 9.910
20 h14	20.000 19.480
10 js14	10.180 9.820

Permitted deviation for dimensions without tolerance specification ISO 2768-m for linear and angular dimensions ISO 2768-0.6 for symmetry				Surface bright	Scale	Weight
					Material 1.4305 (X8CrNiS18-9)	
				Date	Name	Identifier Sleeve nut
				Drawn 04.11.2025	mboShop	
				Checked		
				Standard		
						Article no KT201762265674
A	Drawing created	04.11.2025	eShop	 mbo Osswald GmbH & Co KG Steingasse 13 97900 Kuelshelm-Steinbach Germany		A4
Status	Changes	Date	Name			Replacement for: