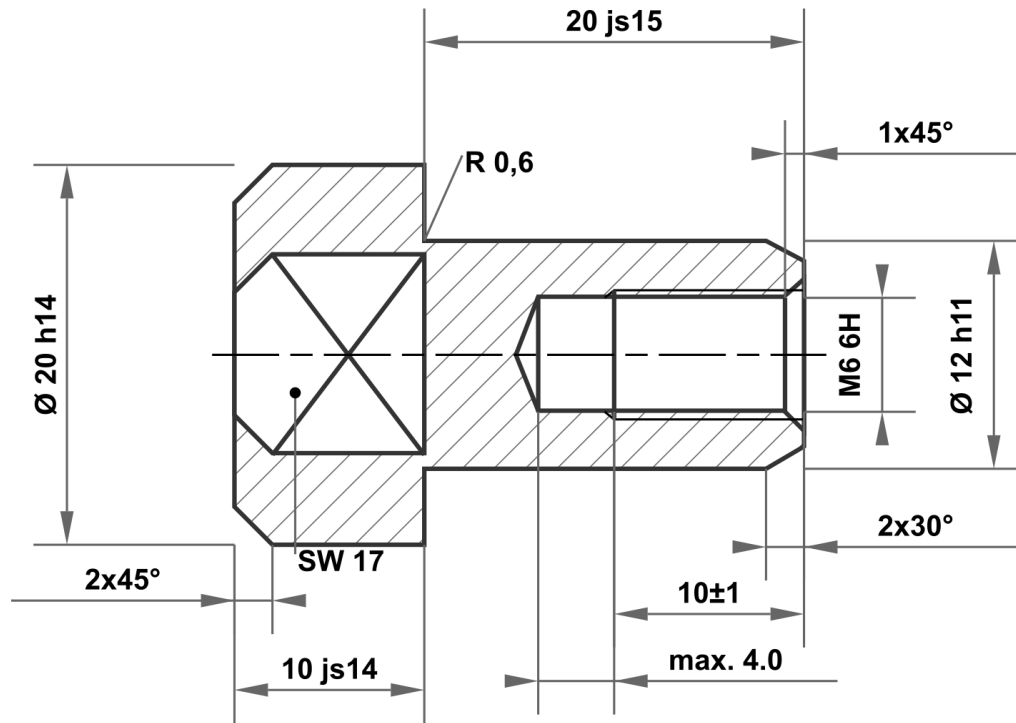



This drawing is the exclusive property of mbo Osswald GmbH & Co KG. Communication, reproduction and disclosure to third-parties (even if only partial) are prohibited. Any contravention will result in liability for compensation.



20 js15	20.420 19.580
12 h11	12.000 11.890
20 h14	20.000 19.480
10 js14	10.180 9.820

Permitted deviation for dimensions without tolerance specification ISO 2768-m for linear and angular dimensions ISO 2768-0.6 for symmetry				Surface bright	Scale	Weight			
					Material 1.4301 (X5CrNi18-10)				
				Date	Name	Identifier			
							Drawn	28.10.2025	mboShop
							Checked		
				Standard					
				 mbo Osswald GmbH & Co KG Steingasse 13 97900 Kuelsheim-Steinbach Germany		Article no			
A	Drawing created	28.10.2025	eShop			KT21761638595			
Status	Changes	Date	Name	Replacement for:		Replaced by:			

A4