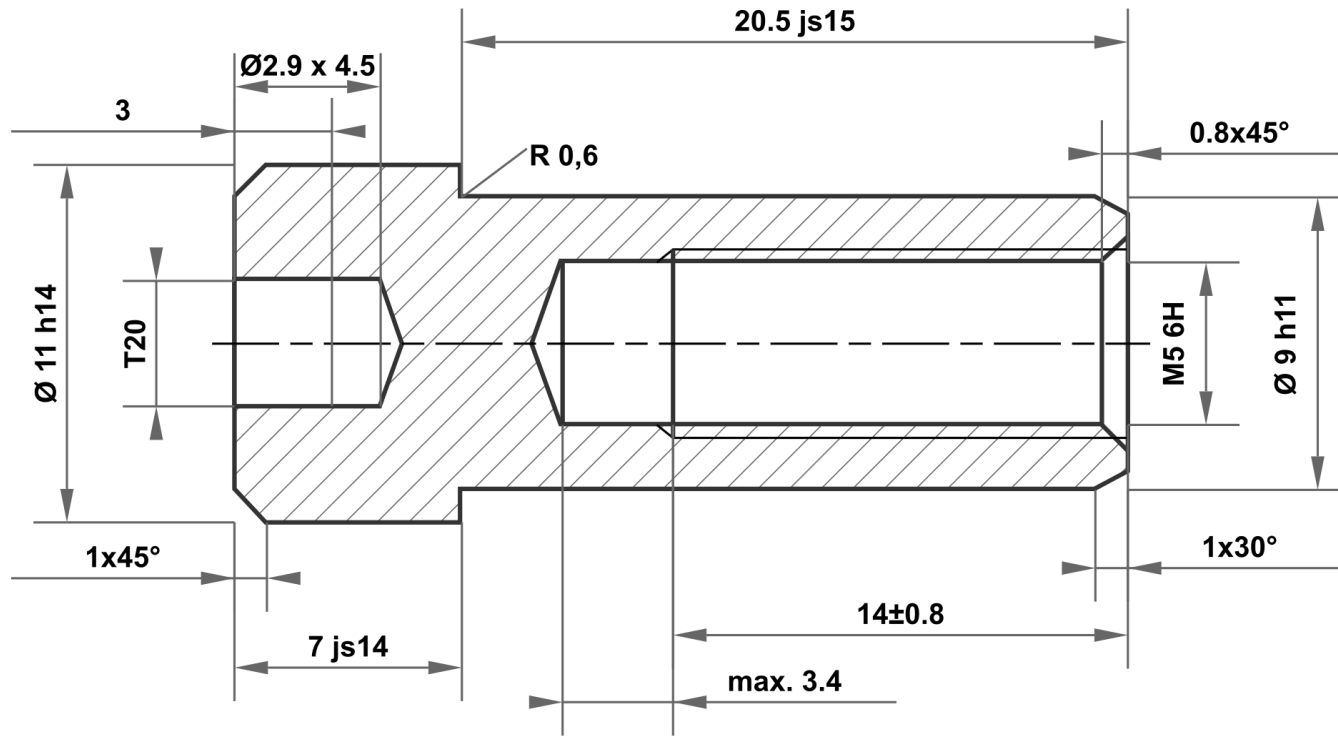
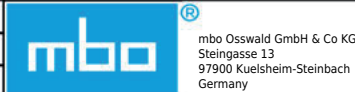


This drawing is the exclusive property of mbo Osswald GmbH & Co KG. Communication, reproduction and disclosure to third-parties (even if only partial) are prohibited. Any contravention will result in liability for compensation.



20.5 js15	20.920 20.080
9 h11	9.000 8.910
11 h14	11.000 10.570
7 js14	7.180 6.820

Permitted deviation for dimensions without tolerance specification ISO 2768-m for linear and angular dimensions ISO 2768-0.6 for symmetry				Surface bright		Scale		Weight	
						Material		1.4301 (X5CrNi18-10)	
				Date		Name		Identifier	
				Drawn 07.08.2025		mboShop		Sleeve nut	
				Checked					
				Standard					
								Article no	
								KT261754545073	
A				Drawing created		07.08.2025		eShop	
Status				Changes		Date		Name	
								Replacement for:	
								Replaced by:	



A4