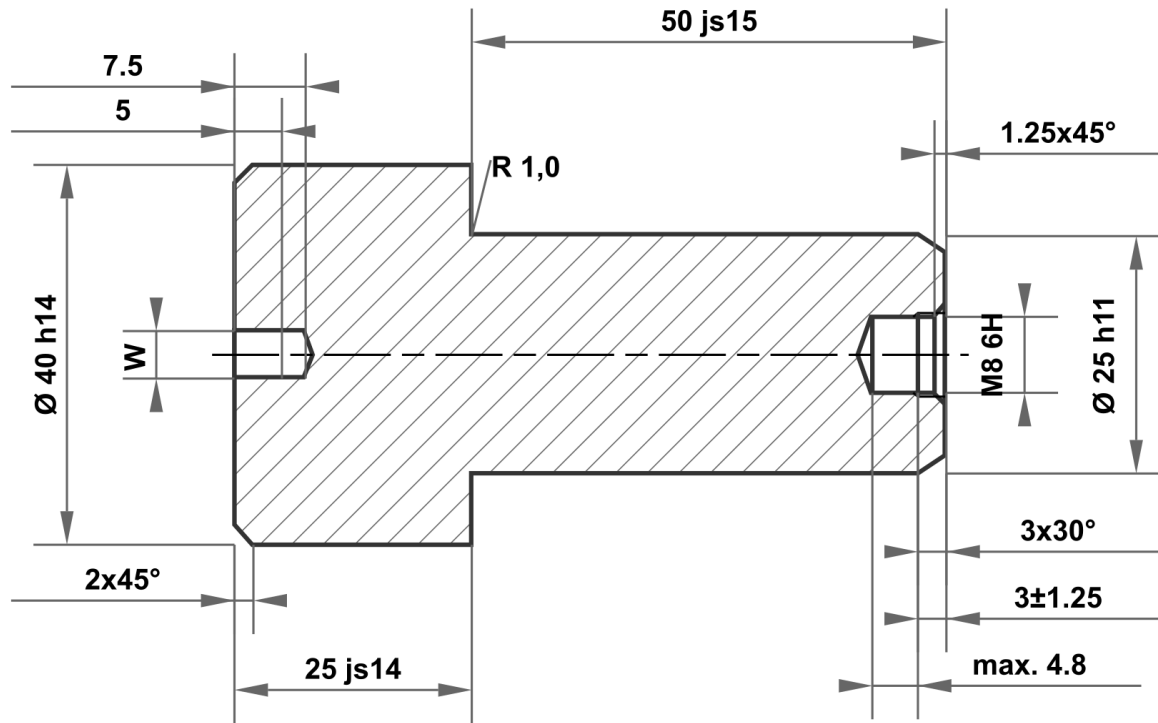


This drawing is the exclusive property of mbo Osswald GmbH & Co KG. Communication, reproduction and disclosure to third-parties (even if only partial) are prohibited. Any contravention will result in liability for compensation.



50 js15	50.500 49.500
25 h11	25.000 24.870
40 h14	40.000 39.380
25 js14	25.260 24.740

Permitted deviation for dimensions without tolerance specification ISO 2768-m for linear and angular dimensions ISO 2768-0.6 for symmetry				Surface bright		Scale		Weight	
						Material		1.4305 (X8CrNiS18-9)	
				Date		Name		Identifier	
				Drawn 22.10.2025		mboShop		Sleeve nut	
				Checked					
				Standard					
								Article no	
								KT281761126657	
								A4	
A		Drawing created		22.10.2025		eShop		Replacement for:	
Status		Changes		Date		Name		Replaced by:	

