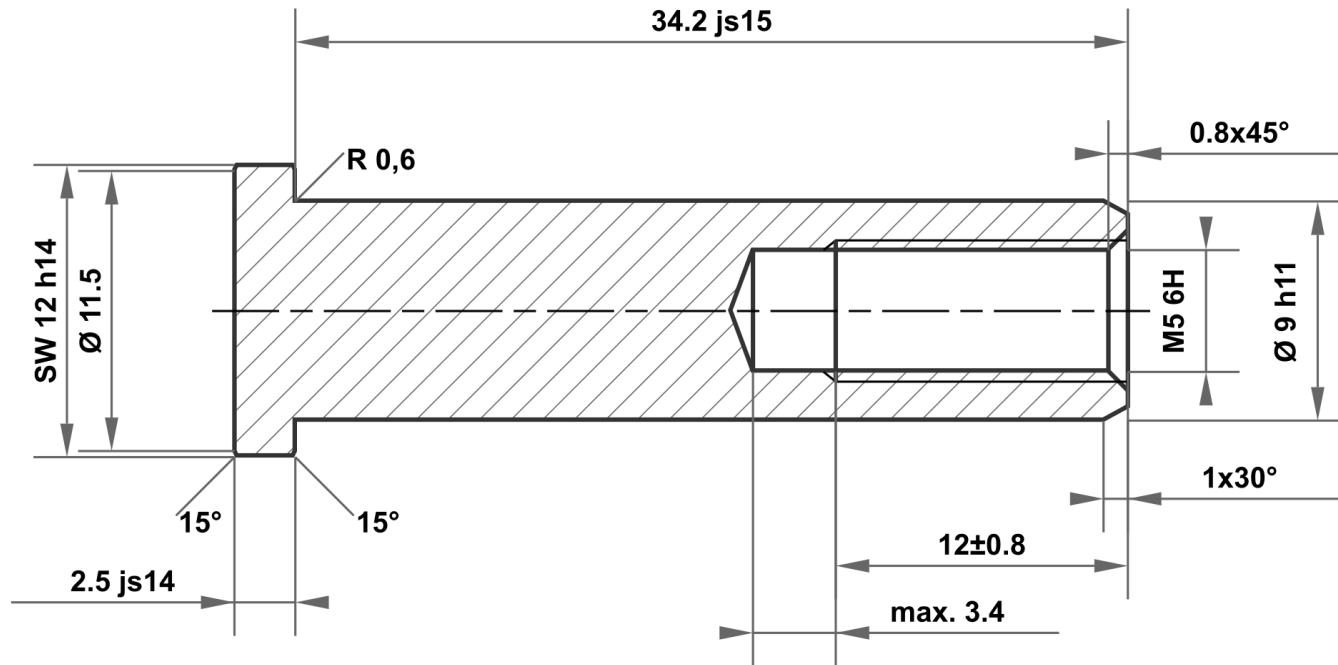


This drawing is the exclusive property of mbo Osswald GmbH & Co KG. Communication, reproduction and disclosure to third-parties (even if only partial) are prohibited. Any contravention will result in liability for compensation.



34.2 js15	34.700 33.700
9 h11	9.000 8.910
12 h14	12.000 11.570
2.5 js14	2.625 2.375

Permitted deviation for dimensions without tolerance specification ISO 2768-m for linear and angular dimensions ISO 2768-0.6 for symmetry				Surface bright		Scale		Weight	
						Material 1.4305 (X8CrNiS18-9)			
				Date		Identifier			
				Drawn 02.06.2025		mboShop			
				Checked		Sleeve nut			
				Standard					
						Article no			
						KT291748872133			
						Replacement for:		Replaced by:	
A		Drawing created		02.06.2025		eShop		A4	
Status		Changes		Date		Name			

