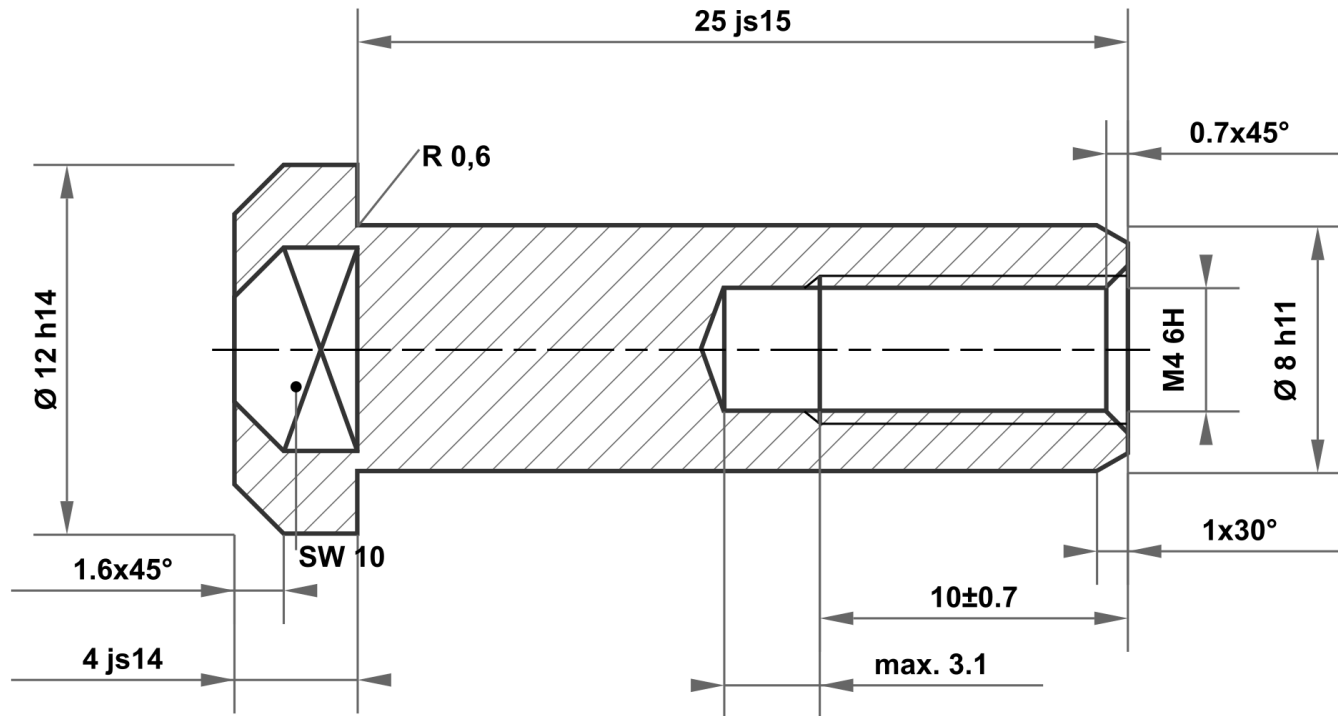


This drawing is the exclusive property of mbo Osswald GmbH & Co KG. Communication, reproduction and disclosure to third-parties (even if only partial) are prohibited. Any contravention will result in liability for compensation.



25 js15	25.420 24.580
8 h11	8.000 7.910
12 h14	12.000 11.570
4 js14	4.150 3.850

Permitted deviation for dimensions without tolerance specification ISO 2768-m for linear and angular dimensions ISO 2768-0.6 for symmetry				Surface bright		Scale		Weight			
						Material 1.4305 (X8CrNiS18-9)					
				Date		Identifier					
				Drawn 16.10.2025		mboShop					
				Checked		Sleeve nut					
				Standard							
						Article no					
						KT301760608975					
								A4			
A		Drawing created		16.10.2025		eShop		Replacement for:		Replaced by:	
Status		Changes		Date		Name					

