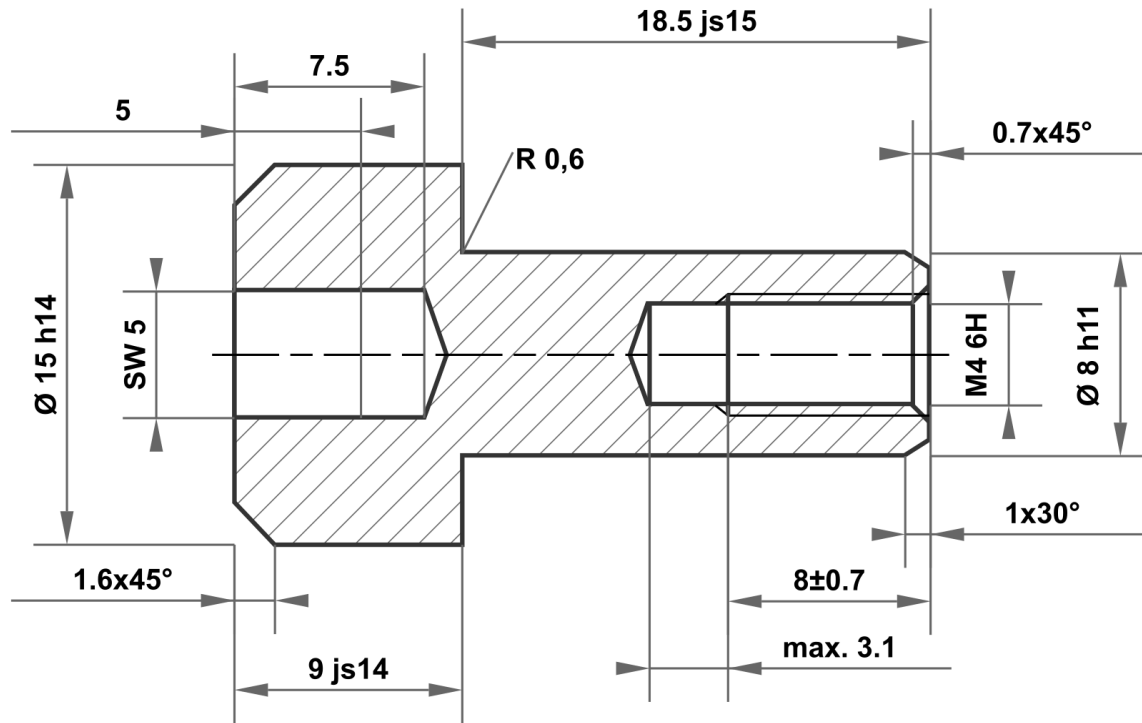


This drawing is the exclusive property of mbo Osswald GmbH & Co KG. Communication, reproduction and disclosure to third-parties (even if only partial) are prohibited. Any contravention will result in liability for compensation.



18.5 js15	18.920 18.080
8 h11	8.000 7.910
15 h14	15.000 14.570
9 js14	9.180 8.820

Permitted deviation for dimensions without tolerance specification ISO 2768-m for linear and angular dimensions ISO 2768-0.6 for symmetry				Surface bright		Scale		Weight	
						Material		1.4301 (X5CrNi18-10)	
				Date		Name		Identifier Sleeve nut	
				Drawn 18.07.2025		mboShop			
				Checked					
				Standard					
						Article no		KT311752837840	
A		Drawing created		18.07.2025		eShop		A4	
Status		Changes		Date		Name			
				Replacement for:		Replaced by:			

