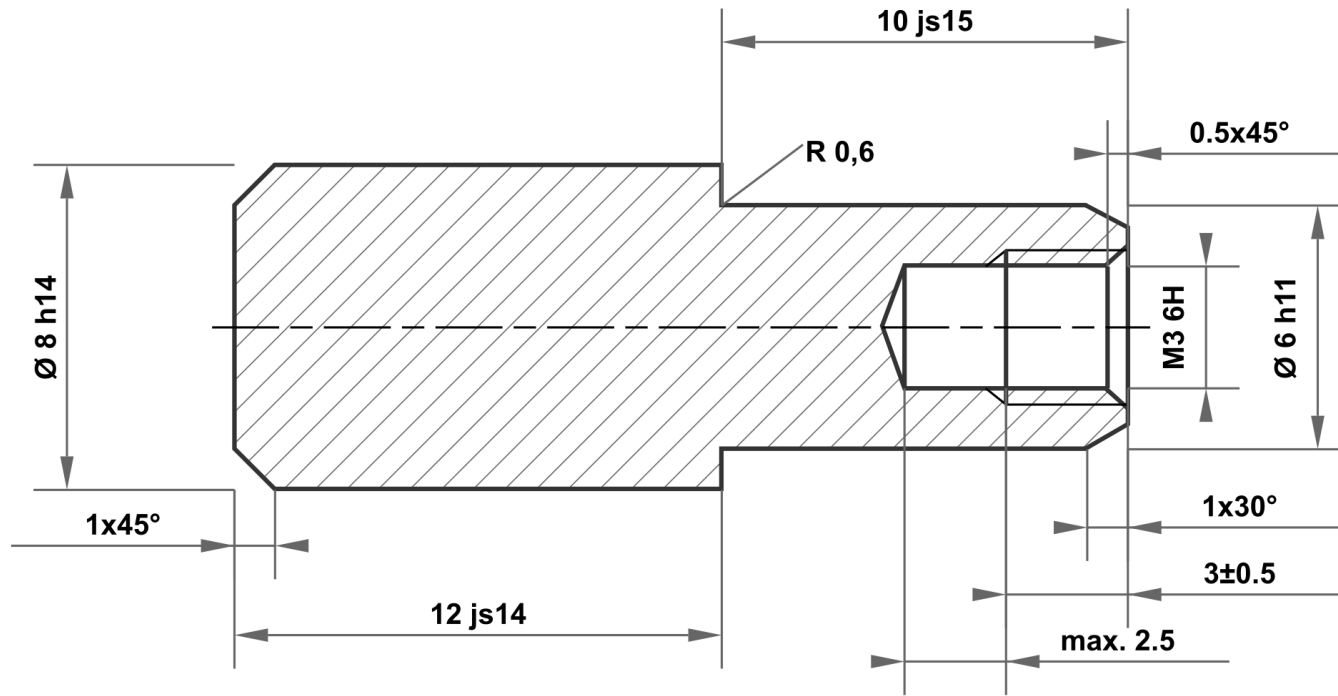


This drawing is the exclusive property of mbo Osswald GmbH & Co KG. Communication, reproduction and disclosure to third-parties (even if only partial) are prohibited. Any contravention will result in liability for compensation.



10 js15	10.290 9.710
6 h11	6.000 5.925
8 h14	8.000 7.640
12 js14	12.215 11.785

Permitted deviation for dimensions without tolerance specification ISO 2768-m for linear and angular dimensions ISO 2768-0.6 for symmetry				Surface bright		Scale		Weight			
						Material 1.4305 (X8CrNiS18-9)					
				Date		Identifier					
				Drawn 29.10.2025		mboShop					
				Checked		Sleeve nut					
				Standard							
						Article no					
						KT321761728980					
								A4			
A		Drawing created		29.10.2025		eShop		mbo		mbo Osswald GmbH & Co KG Steingasse 13 97900 Kuelshelm-Steinbach Germany	
Status		Changes		Date		Name		Replacement for:		Replaced by:	