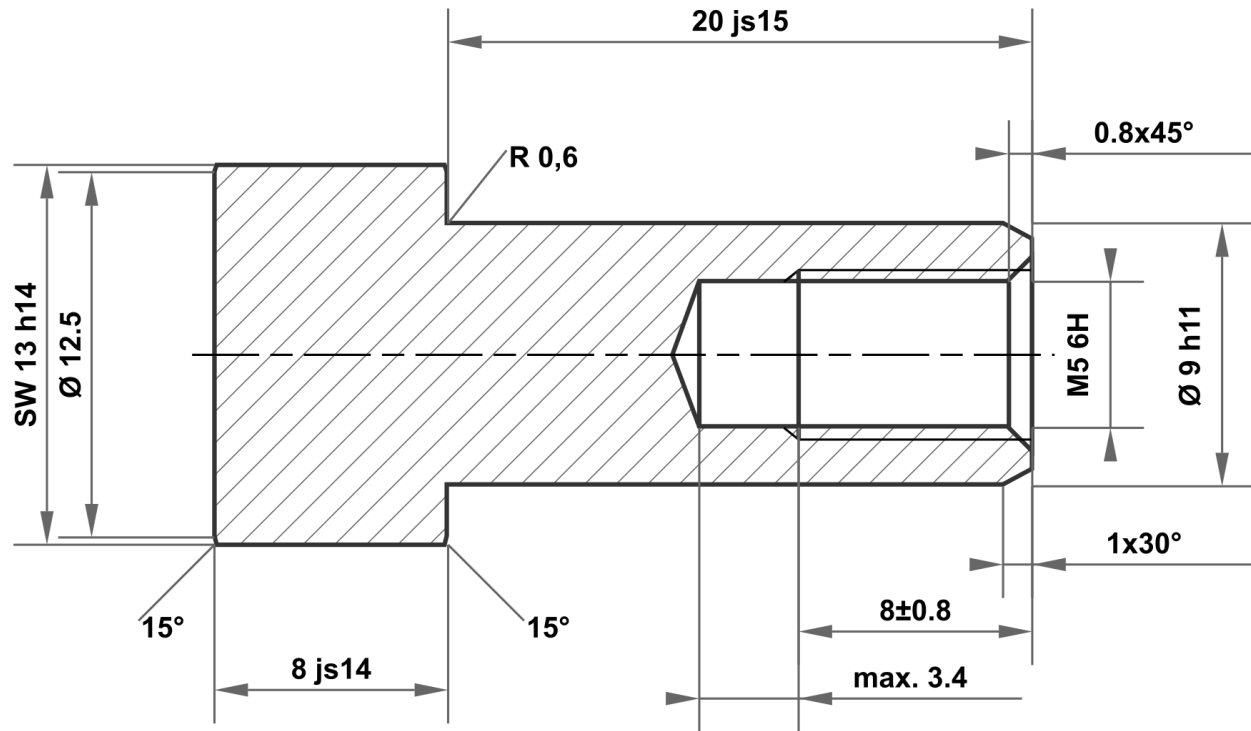



This drawing is the exclusive property of mbo Osswald GmbH & Co KG. Communication, reproduction and disclosure to third-parties (even if only partial) are prohibited. Any contravention will result in liability for compensation.



| | |
|---------|------------------|
| 20 js15 | 20.420 19.580 |
| 9 h11 | 9.000 8.910 |
| 13 h14 | 13.000 12.570 |
| 8 js14 | 8.180 7.820 |

| | | | | | | |
|---|-----------------|------------|-------|---|-------------------------------|---------------------------------|
| Permitted deviation for dimensions without tolerance specification ISO 2768-m for linear and angular dimensions ISO 2768-0.6 for symmetry | | | | Surface bright | Scale | Weight |
| | | | | | Material 1.4301 (X5CrNi18-10) | |
| | | | | Date | Name | Identifier Sleeve nut |
| | | | | Drawn 29.07.2025 | mboShop | |
| | | | | Checked | | |
| | | | | Standard | | |
| | | | | | | Article no |
| | | | | | | KT411753777146 |
| A | Drawing created | 29.07.2025 | eShop |  mbo Osswald GmbH & Co KG Steingasse 13 97900 Kuelshelm-Steinbach Germany | | A4 |
| Status | Changes | Date | Name | | | Replacement for: |