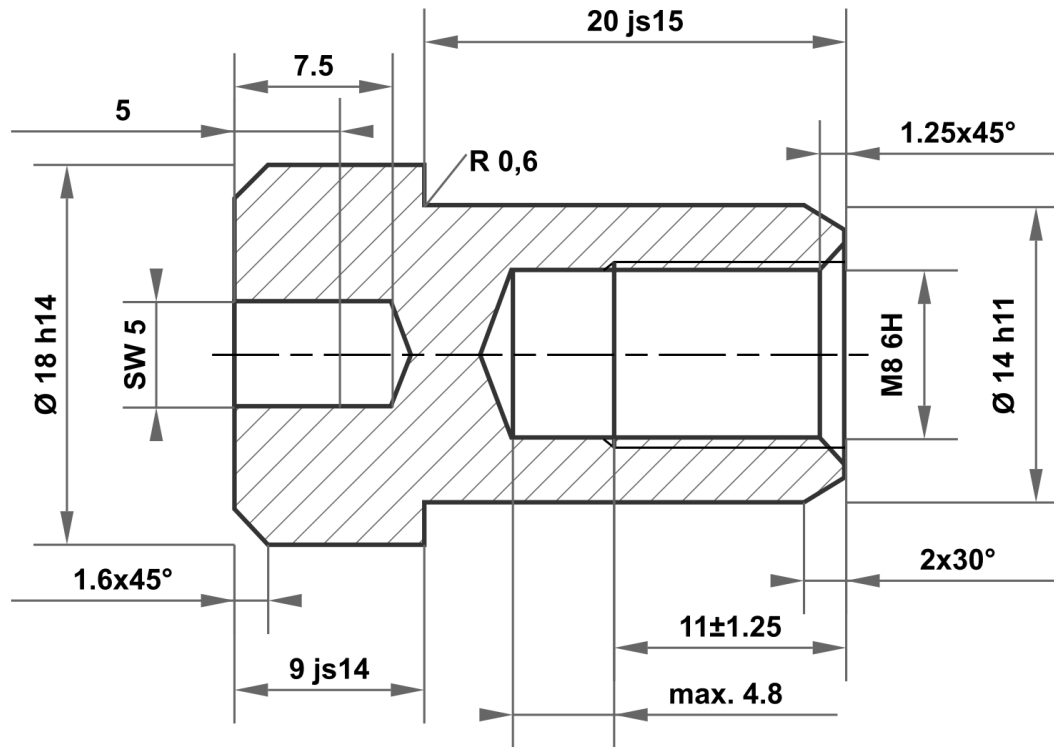



This drawing is the exclusive property of mbo Osswald GmbH & Co KG. Communication, reproduction and disclosure to third-parties (even if only partial) are prohibited. Any contravention will result in liability for compensation.



20 js15	20.420 19.580
14 h11	14.000 13.890
18 h14	18.000 17.570
9 js14	9.180 8.820

Permitted deviation for dimensions without tolerance specification ISO 2768-m for linear and angular dimensions ISO 2768-0.6 for symmetry				Surface electr. galvanised white		Scale		Weight	
						Material		1.0715 / 1.0718 according to DIN EN 10277	
				Date		Name		Identifier	
				Drawn 22.05.2025		mboShop		Sleeve nut	
				Checked					
				Standard					
						Article no		KT431747926751	
				 mbo Osswald GmbH & Co KG Steingasse 13 97900 Kuelsheim-Steinbach Germany		Replacement for:		Replaced by:	
A		Drawing created				22.05.2025		eShop	
Status		Changes		Date		Name			