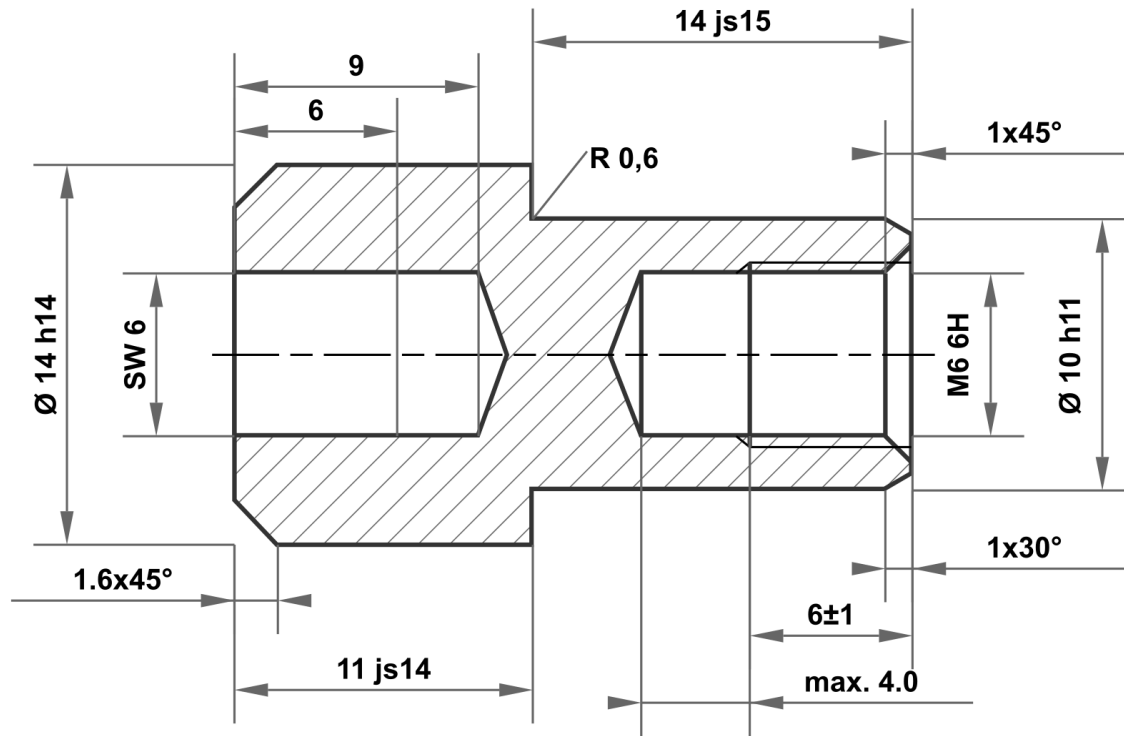



This drawing is the exclusive property of mbo Osswald GmbH & Co KG. Communication, reproduction and disclosure to third-parties (even if only partial) are prohibited. Any contravention will result in liability for compensation.



14 js15	14.350 13.650
10 h11	10.000 9.910
14 h14	14.000 13.570
11 js14	11.215 10.785

Permitted deviation for dimensions without tolerance specification ISO 2768-m for linear and angular dimensions ISO 2768-0.6 for symmetry				Surface bright	Scale		Weight	
					Material		1.4404 (X2CrNiMo17-12-2)	
				Date		Name		Identifier Sleeve nut
				Drawn 21.01.2026		mboShop		
				Checked				
				Standard				
						Article no		A4
						KT451769000470		
A	Drawing created	21.01.2026	eShop	 mbo Osswald GmbH & Co KG Steingasse 13 97900 Kuelshelm-Steinbach Germany		Replacement for:		Replaced by:
Status	Changes	Date	Name					