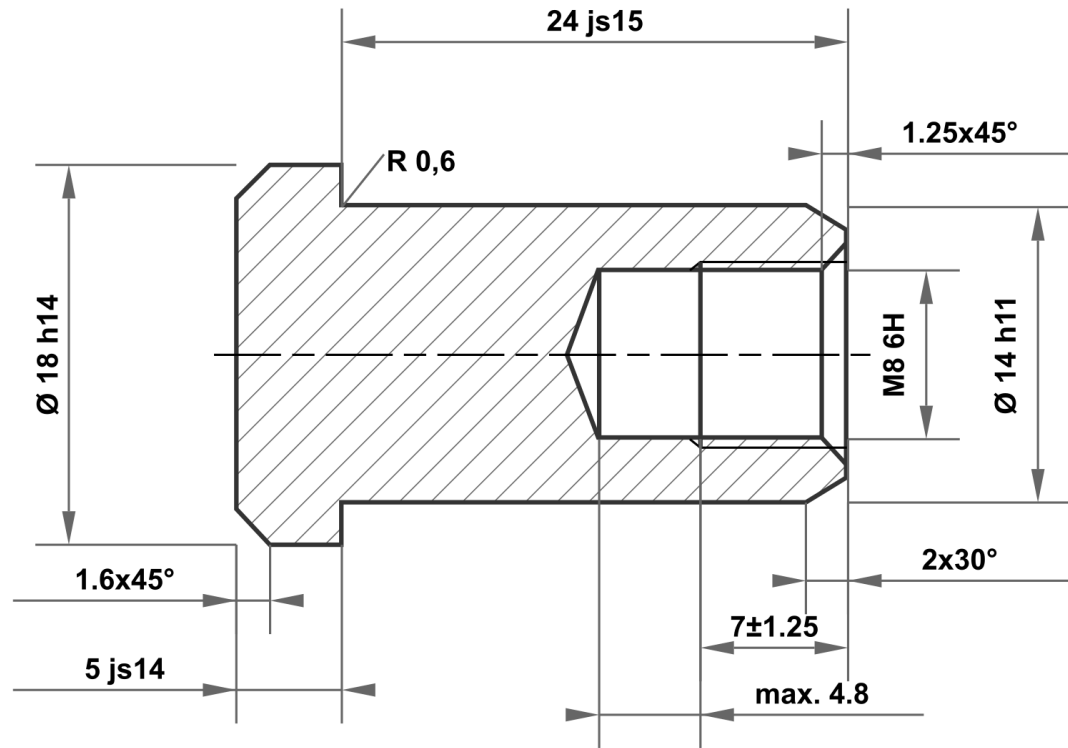


This drawing is the exclusive property of mbo Osswald GmbH & Co KG. Communication, reproduction and disclosure to third-parties (even if only partial) are prohibited. Any contravention will result in liability for compensation.



24 js15	24.420 23.580
14 h11	14.000 13.890
18 h14	18.000 17.570
5 js14	5.150 4.850

Permitted deviation for dimensions without tolerance specification ISO 2768-m for linear and angular dimensions ISO 2768-0.6 for symmetry				Surface bright, lightly oiled		Scale		Weight	
						Material		1.0715 / 1.0718 according to DIN EN 10277	
				Date		Identifier			
				Drawn 19.02.2025		mboShop			
				Checked		Sleeve nut			
				Standard					
						Article no			
						KT461739968952			
						Replacement for:		Replaced by:	
A		Drawing created		19.02.2025		eShop		A4	
Status		Changes		Date		Name			

