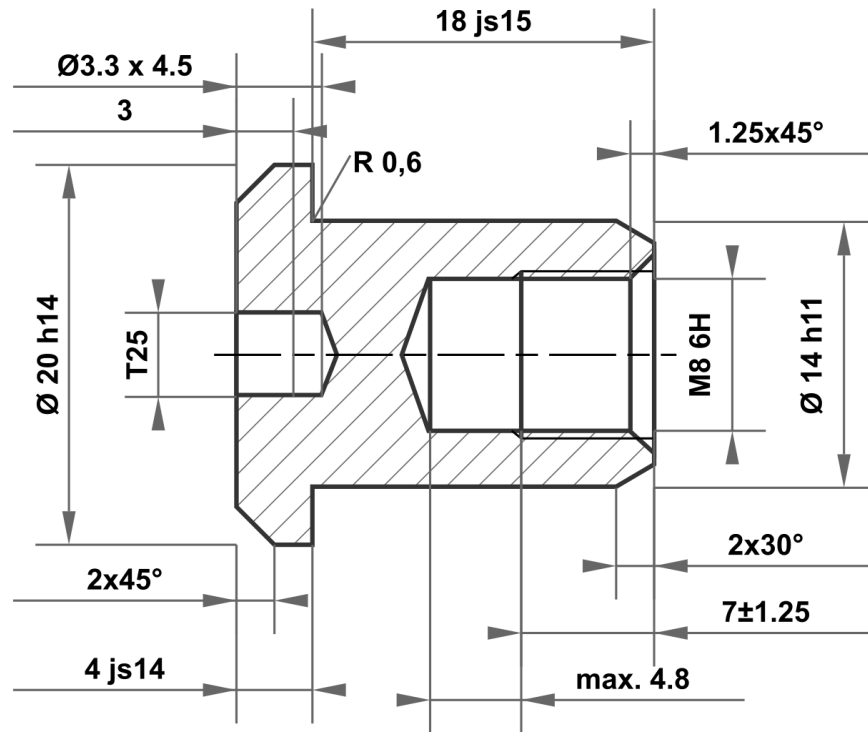


This drawing is the exclusive property of mbo Osswald GmbH & Co KG. Communication, reproduction and disclosure to third-parties (even if only partial) are prohibited. Any contravention will result in liability for compensation.



18 js15	18.350 17.650
14 h11	14.000 13.890
20 h14	20.000 19.480
4 js14	4.150 3.850

Permitted deviation for dimensions without tolerance specification ISO 2768-m for linear and angular dimensions ISO 2768-0.6 for symmetry				Surface bright		Scale		Weight	
						Material		1.4404 (X2CrNiMo17-12-2)	
				Date		Name		Identifier	
				Drawn 22.05.2025		mboShop		Sleeve nut	
				Checked					
				Standard					
								Article no	
								KT481747919886	
								A4	
A		Drawing created		22.05.2025		eShop		Replacement for:	
Status		Changes		Date		Name		Replaced by:	

