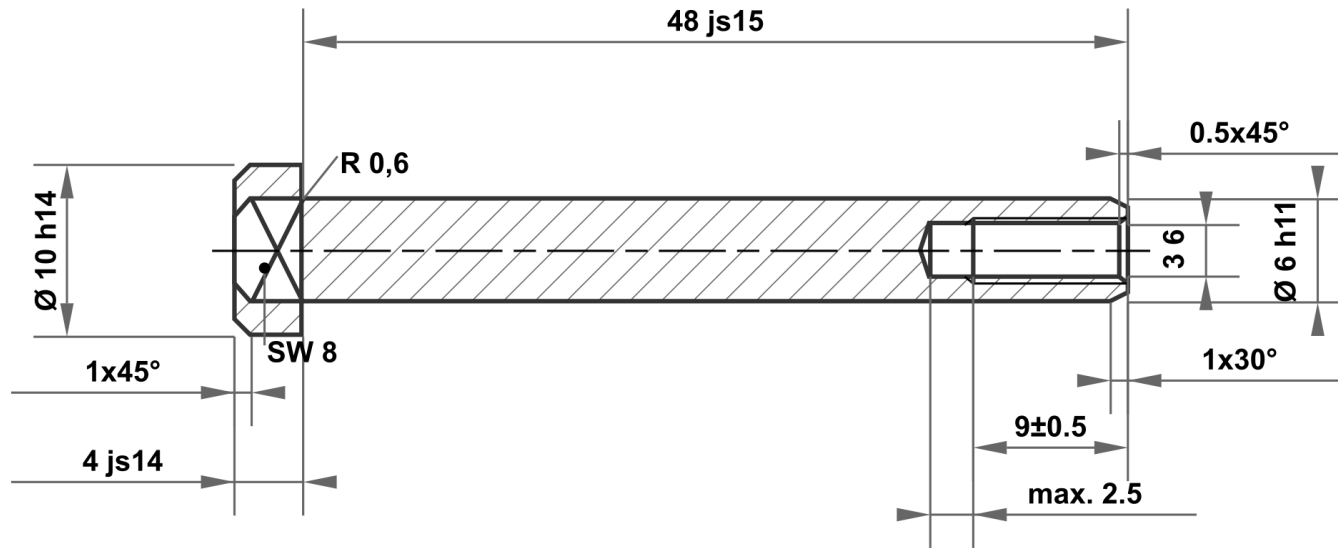



This drawing is the exclusive property of mbo Osswald GmbH & Co KG. Communication, reproduction and disclosure to third-parties (even if only partial) are prohibited. Any contravention will result in liability for compensation.



48 js15	48.500 47.500
6 h11	6.000 5.925
10 h14	10.000 9.640
4 js14	4.150 3.850

Permitted deviation for dimensions without tolerance specification ISO 2768-m for linear and angular dimensions ISO 2768-0.6 for symmetry				Surface bright	Scale	Weight			
					Material 1.4305 (X8CrNiS18-9)				
				Date	Name	Identifier			
							Drawn	27.05.2025	mboShop
							Checked		
							Standard		
				 mbo Osswald GmbH & Co KG Steingasse 13 97900 Kuelshelm-Steinbach Germany		Article no	KT521748304082		
A	Drawing created	27.05.2025	eShop					A4	
Status	Changes	Date	Name	Replacement for:		Replaced by:			