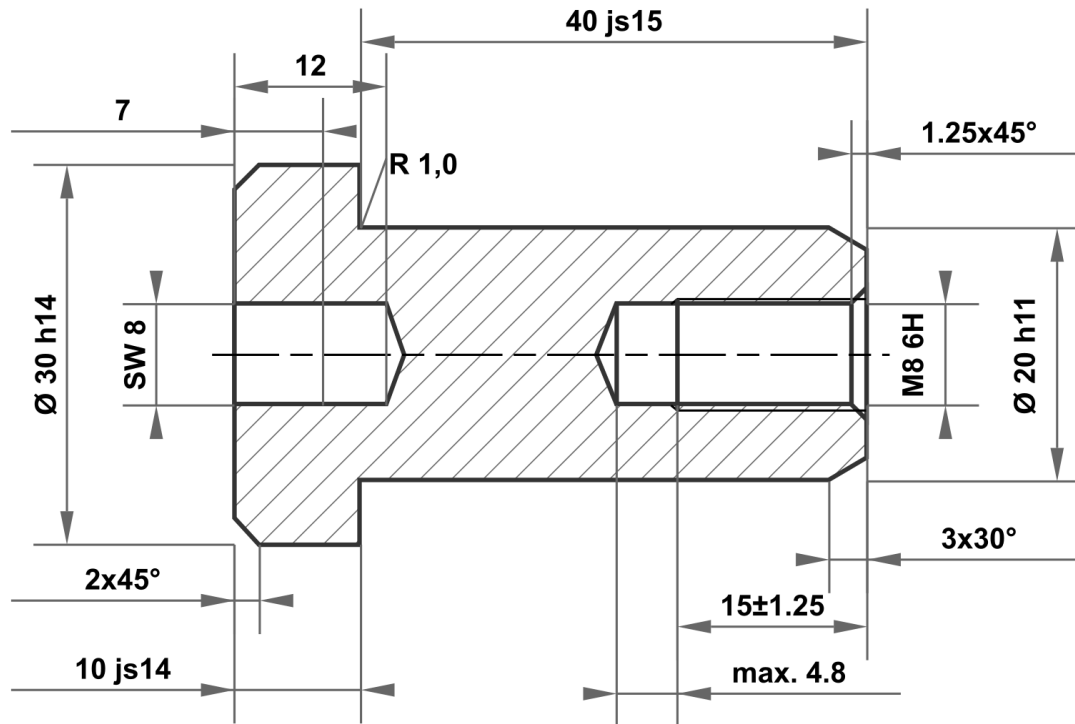


This drawing is the exclusive property of mbo Osswald GmbH & Co KG. Communication, reproduction and disclosure to third-parties (even if only partial) are prohibited. Any contravention will result in liability for compensation.



40 js15	40.500 39.500
20 h11	20.000 19.870
30 h14	30.000 29.480
10 js14	10.180 9.820

Permitted deviation for dimensions without tolerance specification ISO 2768-m for linear and angular dimensions ISO 2768-0.6 for symmetry				Surface electr. galvanised white		Scale		Weight	
						Material		1.0715 / 1.0718 according to DIN EN 10277	
				Date		Name		Identifier	
				Drawn 24.09.2025		mboShop		Sleeve nut	
				Checked					
				Standard					
								Article no	
								KT601758695798	
A				Drawing created		24.09.2025		eShop	
Status				Changes		Date		Name	
								Replacement for:	
								Replaced by:	



A4