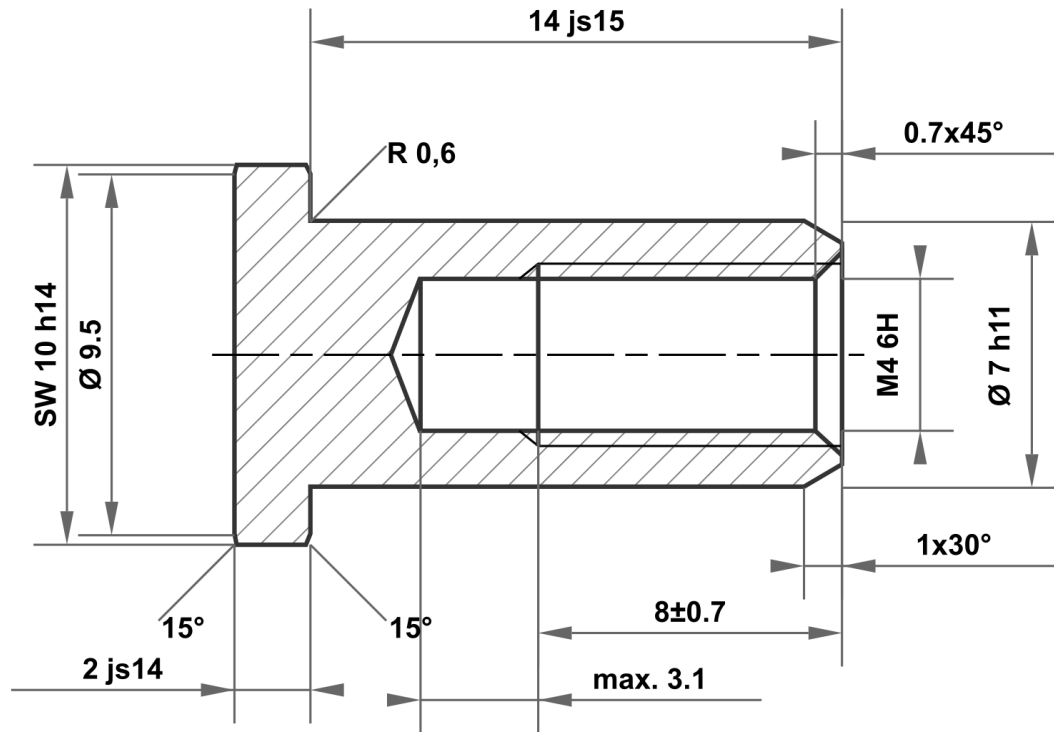


This drawing is the exclusive property of mbo Osswald GmbH & Co KG. Communication, reproduction and disclosure to third-parties (even if only partial) are prohibited. Any contravention will result in liability for compensation.



14 js15	14.350 13.650
7 h11	7.000 6.910
10 h14	10.000 9.640
2 js14	2.125 1.875

Permitted deviation for dimensions without tolerance specification ISO 2768-m for linear and angular dimensions ISO 2768-0.6 for symmetry				Surface bright		Scale		Weight	
						Material		1.4305 (X8CrNiS18-9)	
				Date		Name		Identifier	
				Drawn 17.02.2026		mboShop		Sleeve nut	
				Checked					
				Standard					
								Article no	
								KT641771304923	
A		Drawing created		17.02.2026		eShop		A4	
Status		Changes		Date		Name		Replacement for:	
								Replaced by:	

