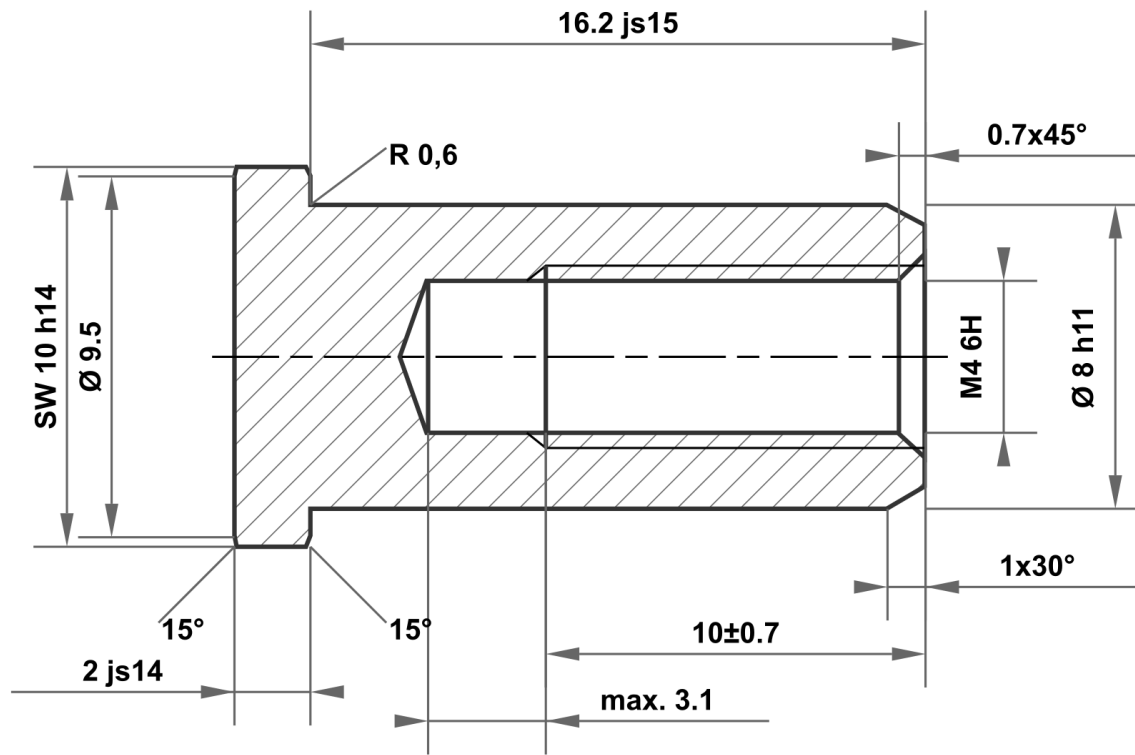



This drawing is the exclusive property of mbo Osswald GmbH & Co KG. Communication, reproduction and disclosure to third-parties (even if only partial) are prohibited. Any contravention will result in liability for compensation.



16.2 js15	16.550 15.850
8 h11	8.000 7.910
10 h14	10.000 9.640
2 js14	2.125 1.875

Permitted deviation for dimensions without tolerance specification ISO 2768-m for linear and angular dimensions ISO 2768-0.6 for symmetry				Surface electr. galvanised white	Scale	Weight	
					Material 1.0715 / 1.0718 according to DIN EN 10277		
				Date	Name	Identifier Sleeve nut	
				Drawn	26.05.2025		mboShop
				Checked			
				Standard			
				 mbo Osswald GmbH & Co KG Steingasse 13 97900 Kuelsheim-Steinbach Germany		Article no	
A	Drawing created	26.05.2025	eShop			KT661748262557	A4
Status	Changes	Date	Name	Replacement for:		Replaced by:	