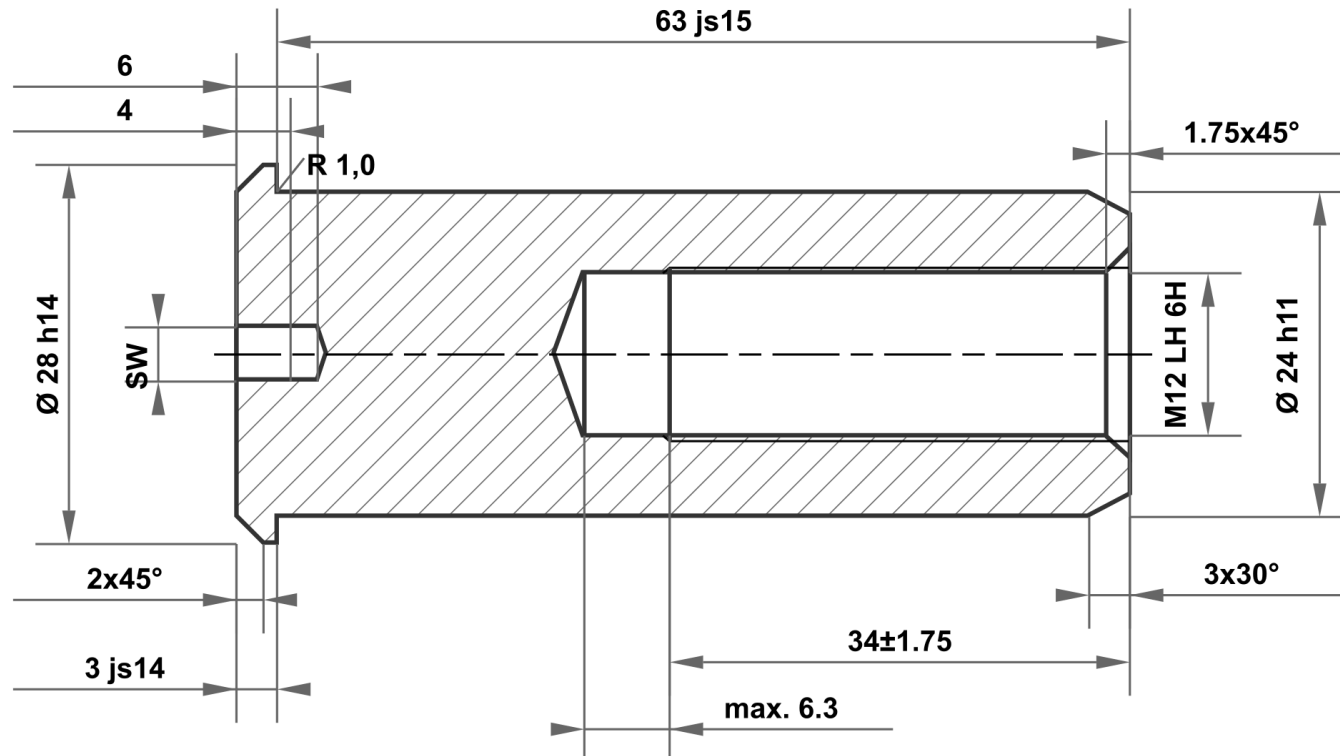



This drawing is the exclusive property of mbo Osswald GmbH & Co KG. Communication, reproduction and disclosure to third-parties (even if only partial) are prohibited. Any contravention will result in liability for compensation.



63 js15	63.600 62.400
24 h11	24.000 23.870
28 h14	28.000 27.480
3 js14	3.125 2.875

Permitted deviation for dimensions without tolerance specification ISO 2768-m for linear and angular dimensions ISO 2768-0.6 for symmetry				Surface bright	Scale	Weight	
					Material 1.4305 (X8CrNiS18-9)		
				Date	Name	Identifier <b>Sleeve nut</b>	
							Drawn
				Checked			
				Standard			
				 mbo Osswald GmbH & Co KG Steingasse 13 97900 Kuelshelm-Steinbach Germany		Article no	
A	Drawing created	24.07.2025	eShop			KT711753352646	A4
Status	Changes	Date	Name	Replacement for:		Replaced by:	