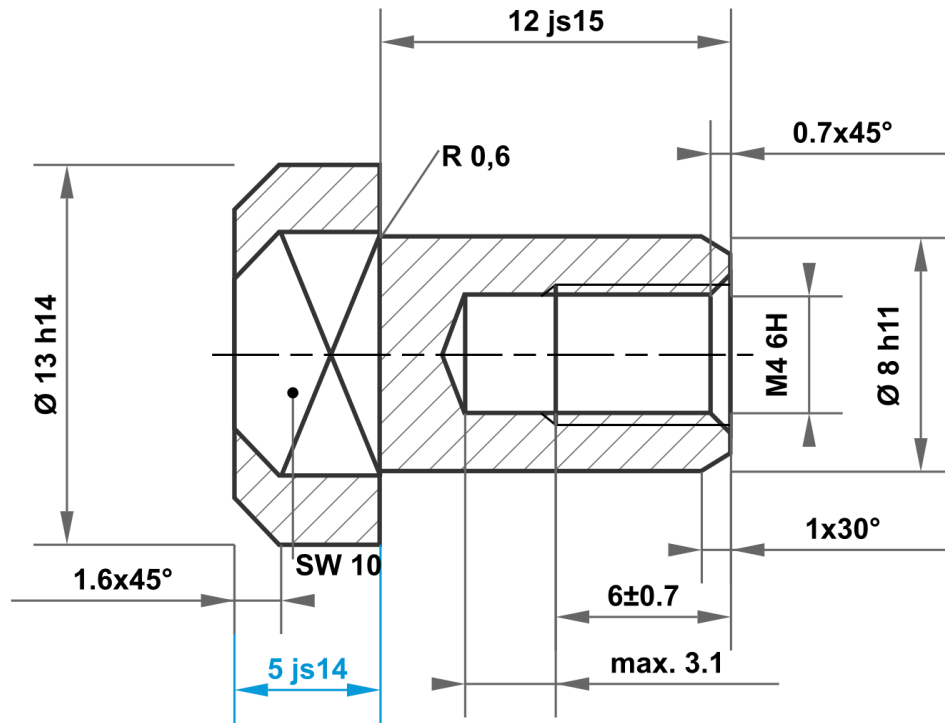


This drawing is the exclusive property of mbo Osswald GmbH & Co KG. Communication, reproduction and disclosure to third-parties (even if only partial) are prohibited. Any contravention will result in liability for compensation.



12 js15	12.350 11.650
8 h11	8.000 7.910
13 h14	13.000 12.570
5 js14	5.150 4.850

Permitted deviation for dimensions without tolerance specification ISO 2768-m for linear and angular dimensions ISO 2768-0.6 for symmetry				Surface bright	Scale	Weight
					Material	1.4305 (X8CrNiS18-9)
				Date	Identifier	
				Drawn	04.08.2025	mboShop
				Checked		
				Standard		
				Sleeve nut		
				Article no		
				KT71754287569		
				A4		
A	Drawing created	04.08.2025	eShop	Replacement for:		
Status	Changes	Date	Name	Replaced by:		

