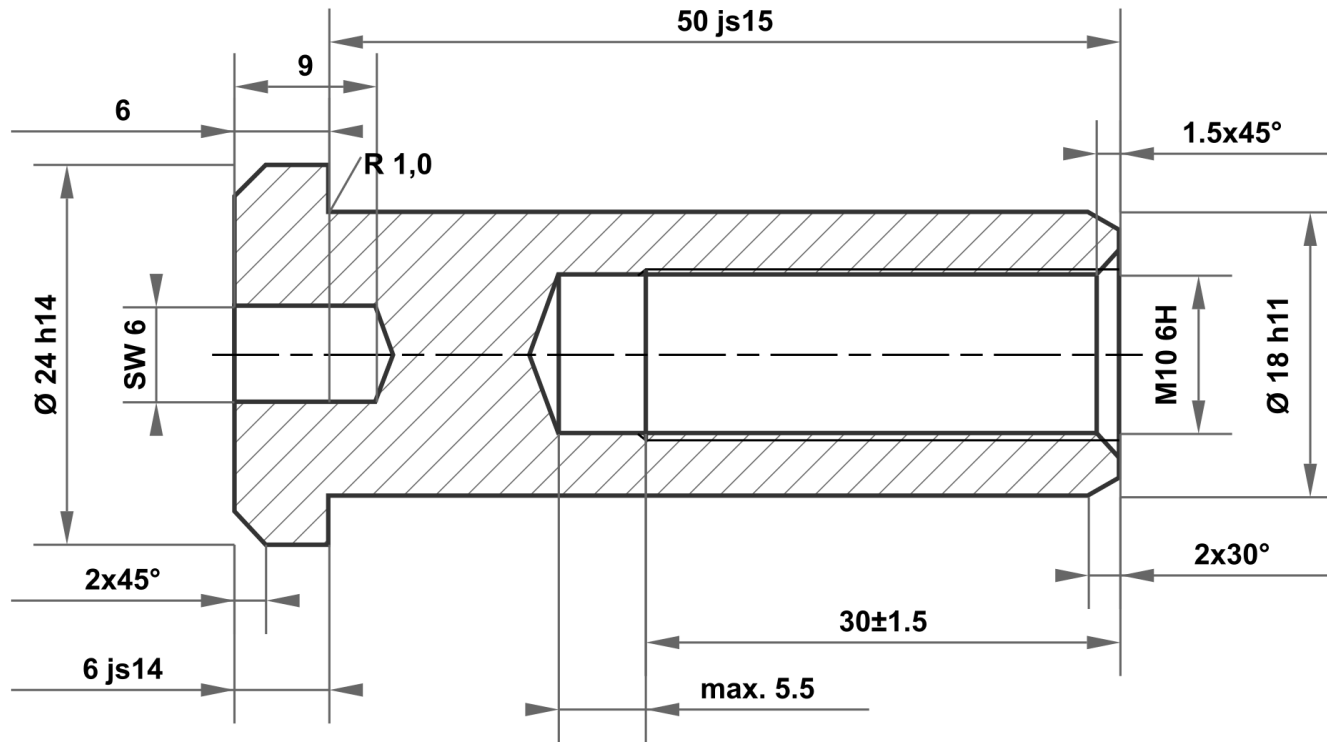


This drawing is the exclusive property of mbo Osswald GmbH & Co KG. Communication, reproduction and disclosure to third-parties (even if only partial) are prohibited. Any contravention will result in liability for compensation.



50 js15	50.500 49.500
18 h11	18.000 17.890
24 h14	24.000 23.480
6 js14	6.150 5.850

Permitted deviation for dimensions without tolerance specification ISO 2768-m for linear and angular dimensions ISO 2768-0.6 for symmetry				Surface bright		Scale		Weight			
						Material		1.4301 (X5CrNi18-10)			
				Date		Name		Identifier			
				Drawn 29.07.2025		mboShop		Sleeve nut			
				Checked							
				Standard							
								Article no			
								KT781753784941			
A				Drawing created		29.07.2025		eShop		A4	
Status				Changes		Date		Name		Replacement for:	
										Replaced by:	

