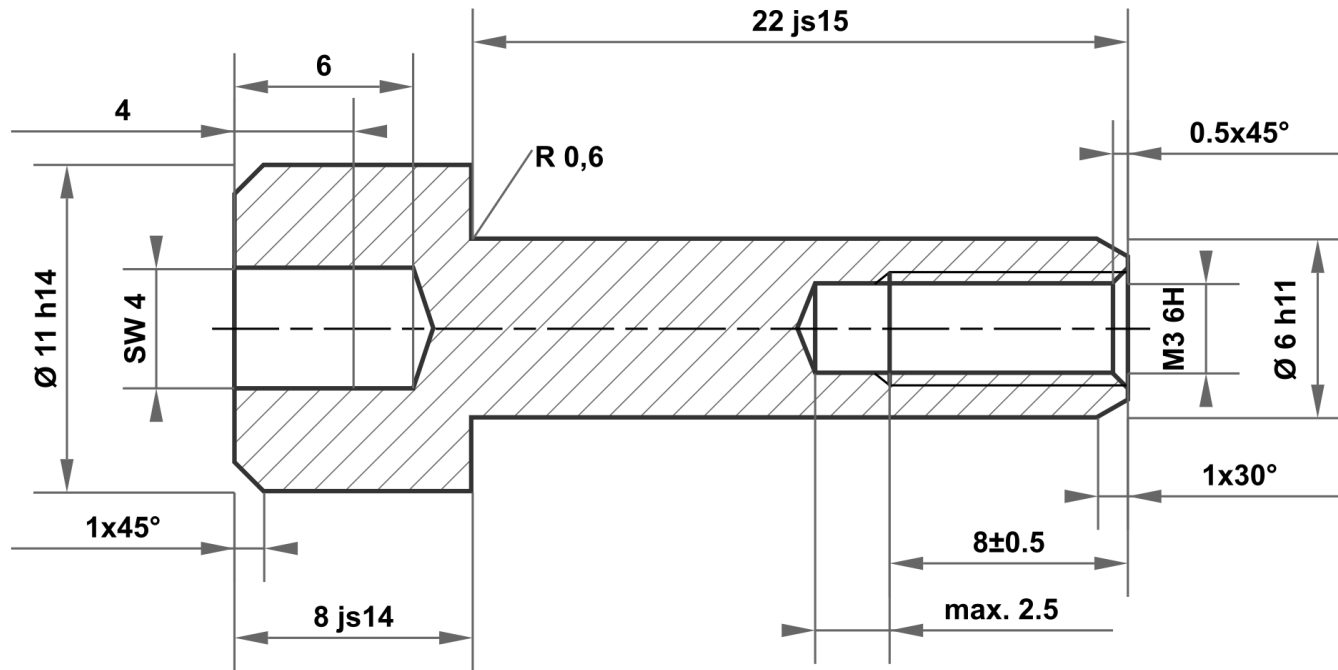



This drawing is the exclusive property of mbo Osswald GmbH & Co KG. Communication, reproduction and disclosure to third-parties (even if only partial) are prohibited. Any contravention will result in liability for compensation.



22 js15	22.420 21.580
6 h11	6.000 5.925
11 h14	11.000 10.570
8 js14	8.180 7.820

Permitted deviation for dimensions without tolerance specification ISO 2768-m for linear and angular dimensions ISO 2768-0.6 for symmetry				Surface bright	Scale	Weight
					Material 1.4404 (X2CrNiMo17-12-2)	
				Date	Name	Identifier Sleeve nut
				Drawn 18.03.2025	mboShop	
				Checked		
				Standard		
				 mbo Osswald GmbH & Co KG Steingasse 13 97900 Kuelshelm-Steinbach Germany		Article no
A	Drawing created	18.03.2025	eShop			KT911742308534
Status	Changes	Date	Name	Replacement for:		Replaced by:

A4