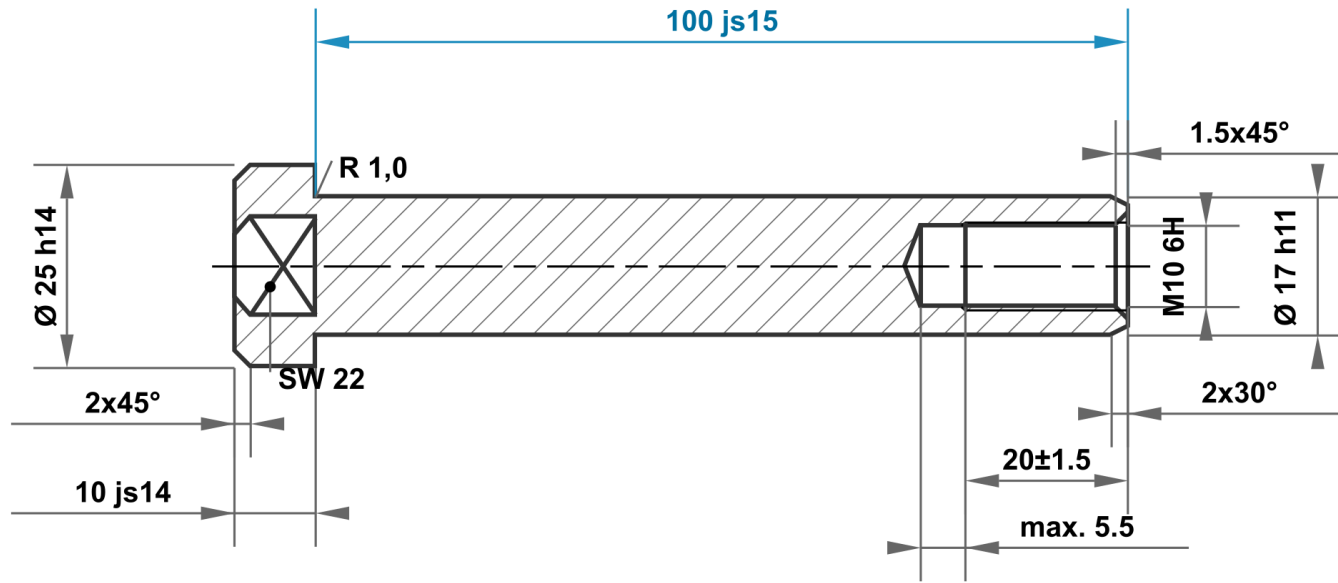


This drawing is the exclusive property of mbo Osswald GmbH & Co KG. Communication, reproduction and disclosure to third-parties (even if only partial) are prohibited. Any contravention will result in liability for compensation.



100 js15	100.700 99.300
17 h11	17.000 16.890
25 h14	25.000 24.480
10 js14	10.180 9.820

Permitted deviation for dimensions without tolerance specification ISO 2768-m for linear and angular dimensions ISO 2768-0.6 for symmetry				Surface electr. galvanised white		Scale		Weight	
						Material		1.0715 / 1.0718 according to DIN EN 10277	
				Date		Name		Identifier	
				Drawn 04.07.2025		mboShop		Sleeve nut	
				Checked					
				Standard					
								Article no	
								KT921751614720	
								A4	
A		Drawing created		04.07.2025		eShop		Replacement for:	
Status		Changes		Date		Name		Replaced by:	

