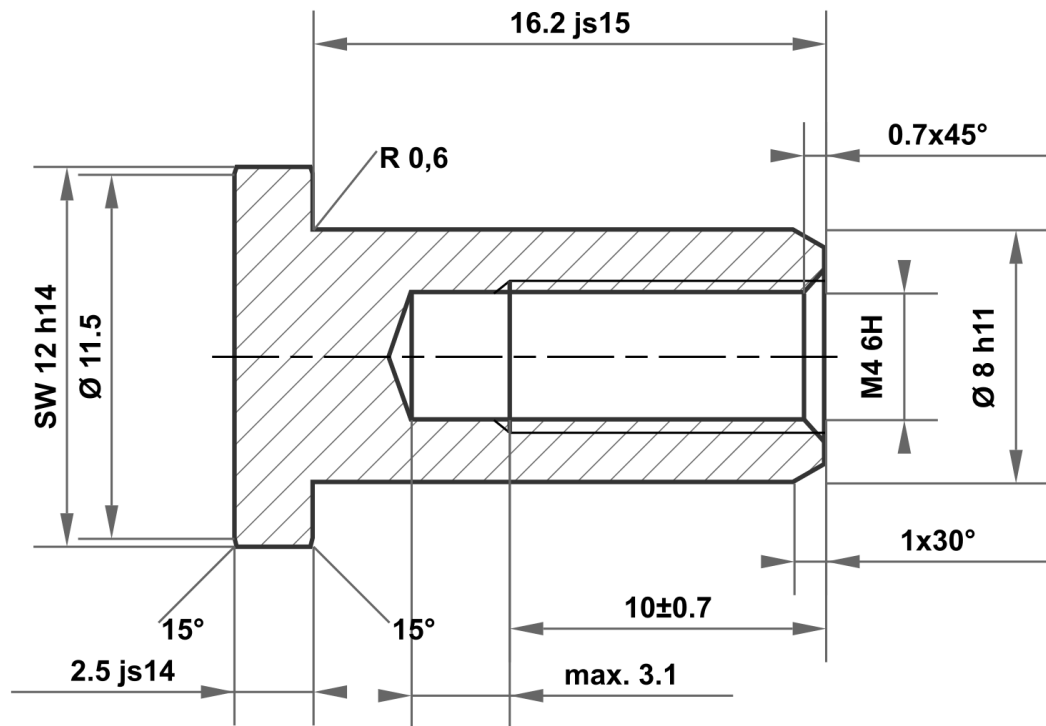



This drawing is the exclusive property of mbo Osswald GmbH & Co KG. Communication, reproduction and disclosure to third-parties (even if only partial) are prohibited. Any contravention will result in liability for compensation.



16.2 js15	16.550 15.850
8 h11	8.000 7.910
12 h14	12.000 11.570
2.5 js14	2.625 2.375

Permitted deviation for dimensions without tolerance specification ISO 2768-m for linear and angular dimensions ISO 2768-0.6 for symmetry				Surface electr. galvanised white	Scale		Weight	
					Material		1.0715 / 1.0718 according to DIN EN 10277	
				Date	Name	Identifier		
				Drawn	26.05.2025	mboShop		
				Checked		Sleeve nut		
				Standard				
				 mbo Osswald GmbH & Co KG Steingasse 13 97900 Kuelsheim-Steinbach Germany		Article no		A4
A	Drawing created	26.05.2025	eShop			KT931748265651		
Status	Changes	Date	Name	Replacement for:		Replaced by:		