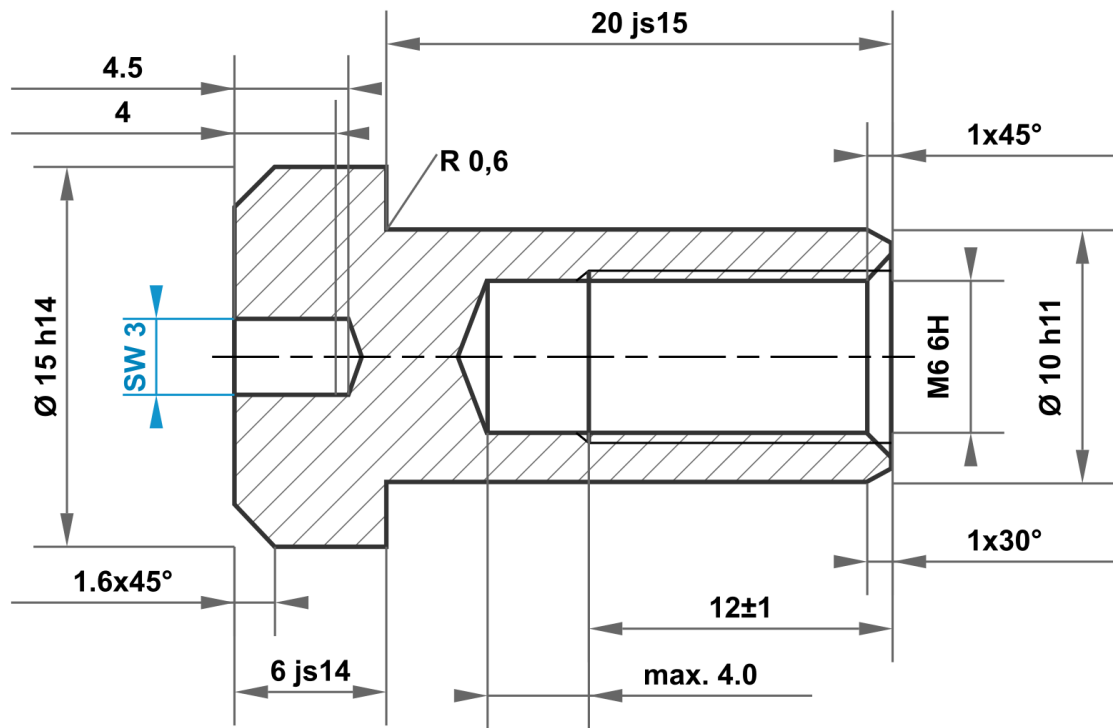


This drawing is the exclusive property of mbo Osswald GmbH & Co KG. Communication, reproduction and disclosure to third-parties (even if only partial) are prohibited. Any contravention will result in liability for compensation.



20 js15	20.420 19.580
10 h11	10.000 9.910
15 h14	15.000 14.570
6 js14	6.150 5.850

Permitted deviation for dimensions without tolerance specification ISO 2768-m for linear and angular dimensions ISO 2768-0.6 for symmetry				Surface electr. galvanised white		Scale		Weight			
						Material		1.0715 / 1.0718 according to DIN EN 10277			
				Date		Name		Identifier			
				Drawn 07.10.2025		mboShop		Sleeve nut			
				Checked							
				Standard							
								Article no			
								KT961759832485			
A				Drawing created		07.10.2025		eShop		A4	
Status				Changes		Date		Name		Replacement for:	
										Replaced by:	

